



General

Basic functions : Towing and mooring operations
 Classification : Bureau Veritas I 3/3 E
 Coastal Waters
 National Autoriteit : Dutch Shipping Inspection 30 n.m.
 Call Sign : PD2424
 ENI no : 2314857

Dimensions

Length o.a. : 15,89 m
 Beam o.a. : 4,85 m
 Draught : 2,45 m
 Displacement : 7,5 ton

Tank capacities

Fuel oil : 10.000 l.
 Fresh water : 1.000 l.
 Dirty lub oil : 1.000 l.
 Clean lub oil : 500 l.

Accommodation

Heated living spaces for 2 persons, consisting of 2 cabins, galley/mess and sanitary

Performances

Bollard pull : 5 ton
 Speed : 10 knots

Propulsion system

Main engines : General Motors
 Total power : 485 HP
 Propellers : 1
 Diameter : 1,40 mtr

Auxiliary equipment

Generator set : -
 Capacity : -

Deck lay-out

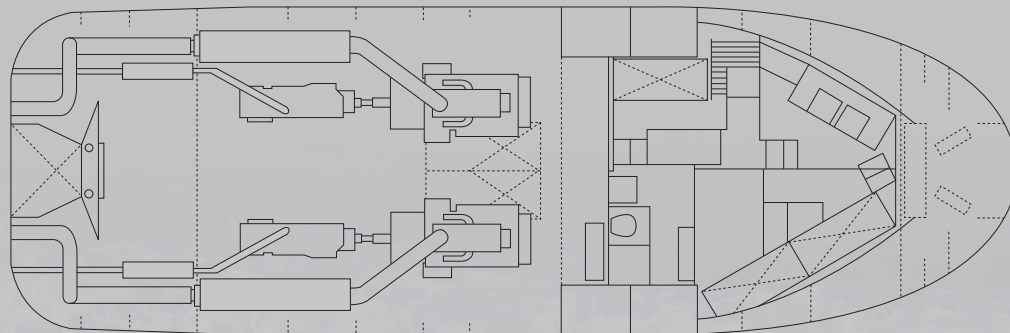
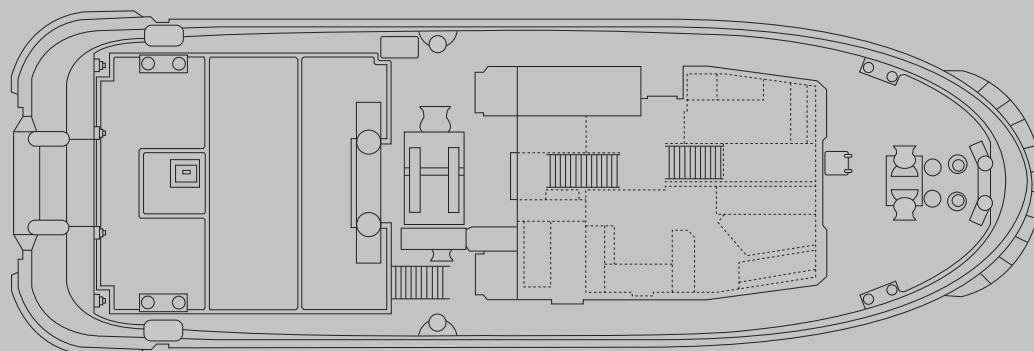
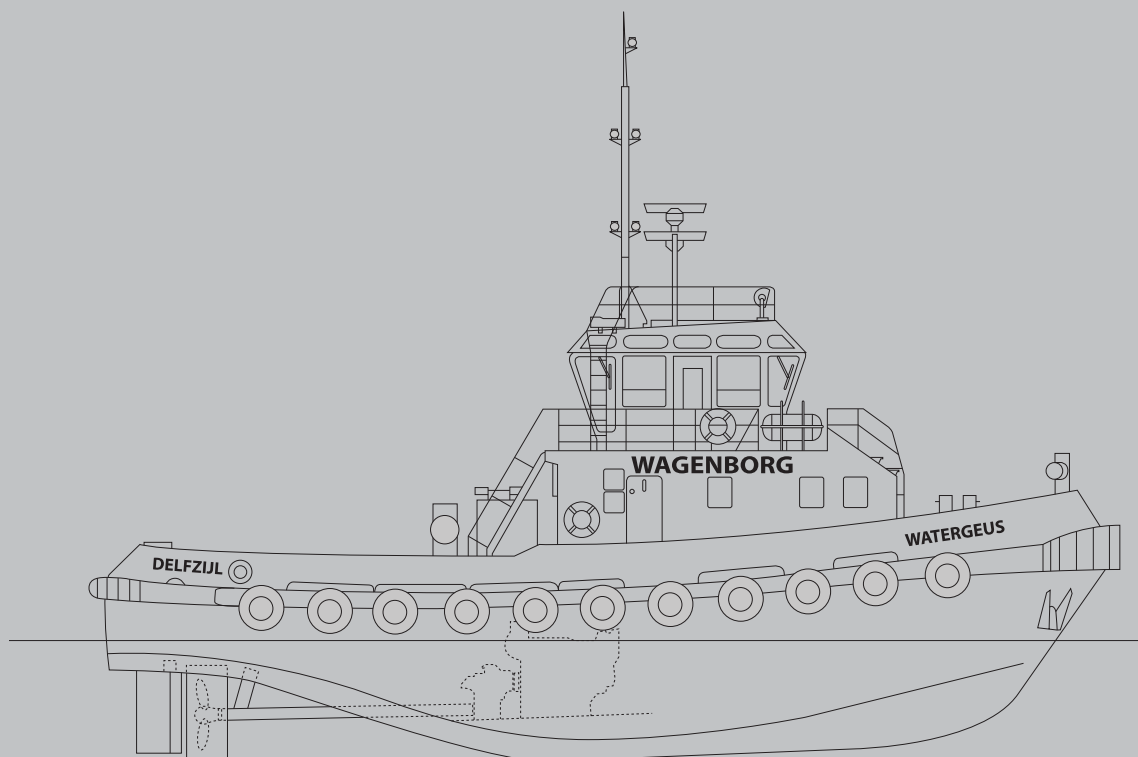
Anchors : 1
 Chains : -
 Anchor Winch : -
 Towing hook : -
 Towing Winch : -

Nautical and communication equipment

Searchlight : 1
 Radar system : 1
 Compass : 1
 Echosounder : 1
 VHF radio telephones : 2

Particulars believed to be correct, but not guaranteed.





Marktstraat 10
P.O. Box 14
9930 AA Delfzijl
The Netherlands

T. +31 596 - 636 911 / 636 230
F. +31 596 - 636 250

E. towage@wagenborg.com
www.wagenborg.com