



ROYAL
WAGENBORG



CLASS
W

W-CLASS VESSELS

Waalborg	2010
Weserborg	2011
Wislaborg	2011
Warnowborg	2011

GENERAL PARTICULARS

DWAT	9.200
DWCC Summer	9.050
DWCC Winter	8.700
GT	6.668
NT	3.625

Lenght over all	106,99 m
LBPP	103,00 m
Breadth over all	18,20 m
Moulded depth	10,50 m
Draught Summer	7,990 m
Height WL-HC in ballast	8,70 m
Airdraft in ballast	31,60 m

Built	2010 - 2011
Shipyard	Nanjing Huatai Shipyard Co. Ltd.
Flag	Dutch
Homeport	Delfzijl
Ice Class	Finnish/Swedish 1A Super
Class Notation	100 A5 E3 Multi-purpose dry cargo ship BWM Equipped for carriage of containers DBC SOLAS-II-2,Reg.19 G IW Strengthened for heavy cargo +MC E3 AUT

ENGINE

Main engine	MAK 8M32C, 3840 kW at 600 RPM
Bowthruster	450 kW

HOLDS/HATCHES

Type of holds	Fully box and double skinned
Cubic capacity hold 1.	105.510 cbft
Cubic capacity hold 2.	161.217 cbft
Cubic capacity hold 3.	161.217 cbft
Total capacity	427.944 cbft

Dimensions hold 1	16,10 x 15,20 x 13,20 m
Dimensions hold 2	25,90 x 15,20 x 11,60 m
Dimensions hold 3	25,90 x 15,20 x 11,60 m
Max pressure Tanktop	14.00 t/m ²
Max pressure weatherdeck	1.75 t/m ²

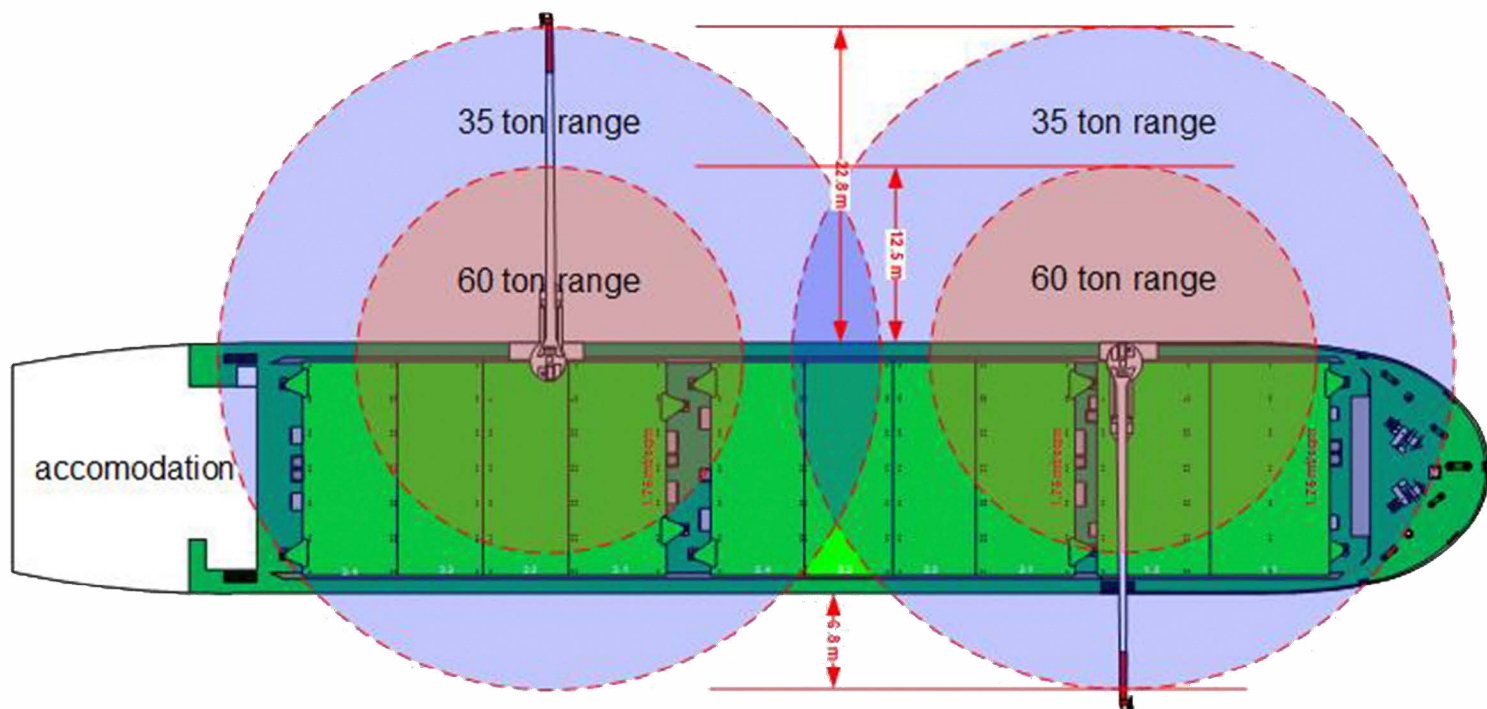
CARGO CRANES

Vessel is equipped with 2NMF cranes about 60 mt SWL each, located port side. Combinable to 120 mt SWL under hook. Vessel has no treverse /spreaders on board.

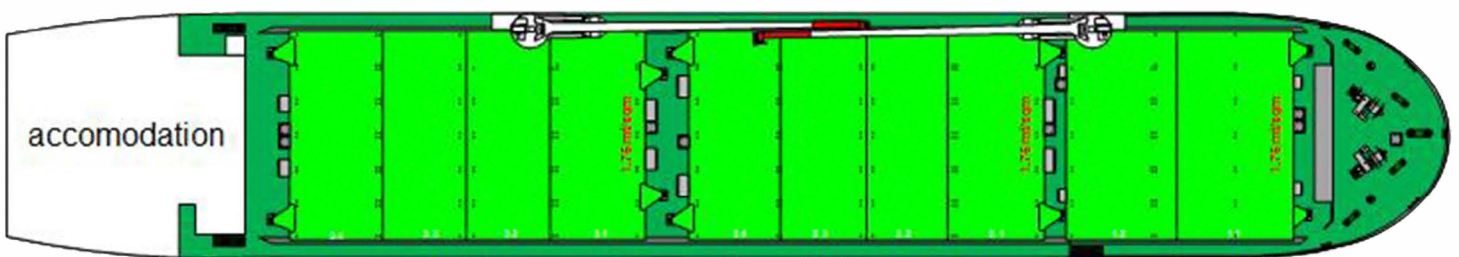
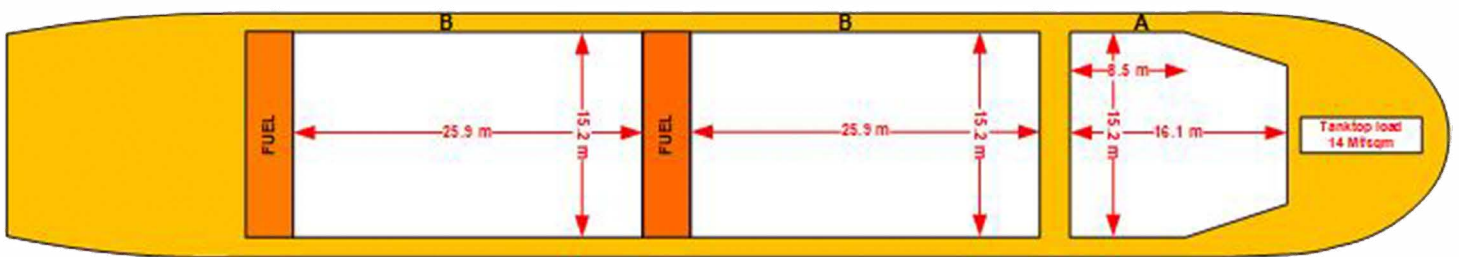
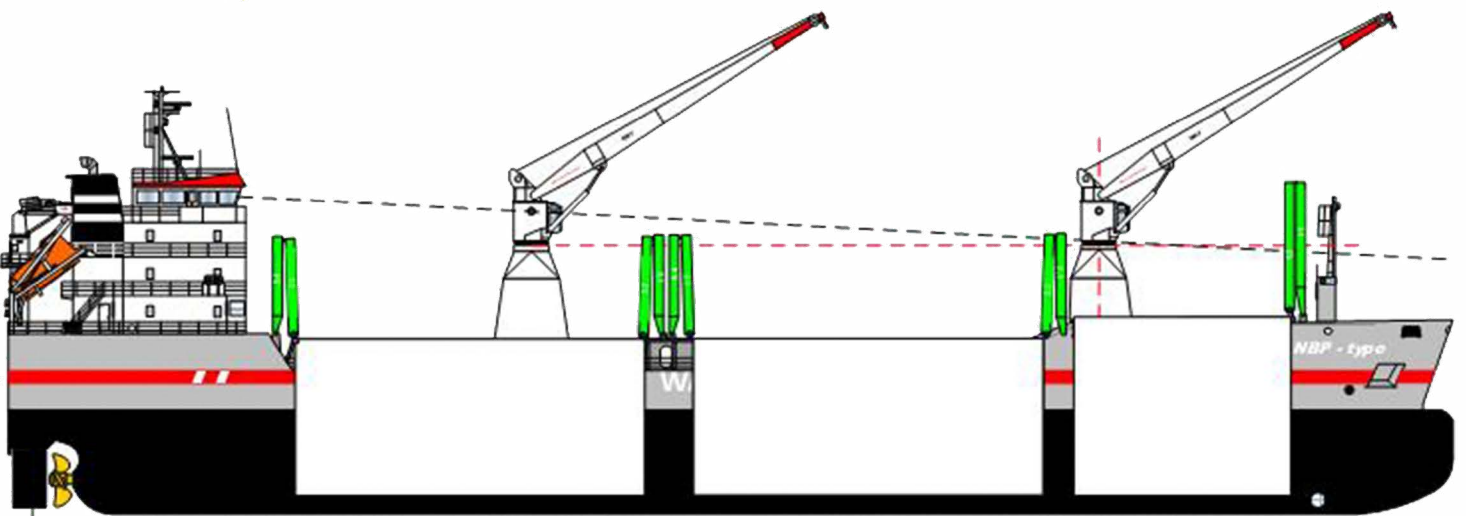
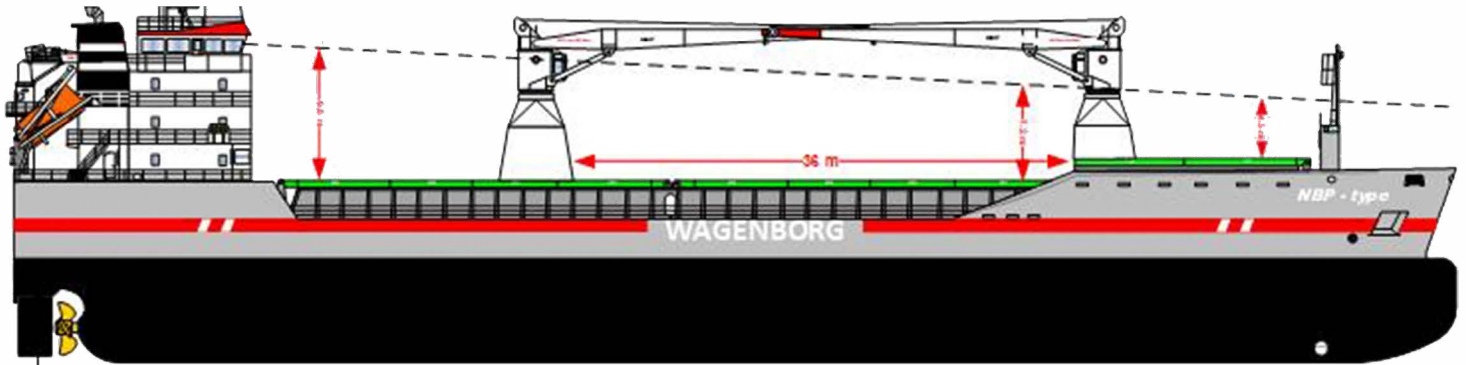
Hoisting speed: SWL 0 - 60 t 0 - 9,0 m/min
SWL 0 - 35 t 0 - 18,0 m/min
SWL 0 - 25 t 0 - 22,0 m/min
SWL 0 - 10 t 0 - 45,0 m/min

FUEL OIL SPECIFICATION

HFO as per ISO 8217:2010 RMG 380
MGO as per ISO 8217:2010 DMA
Within: ECA area t/c operation to be responsible for sulphur limit compliance



Particulars believed to be correct, but not guaranteed.



Wagenborg Shipping is a member of Royal Wagenborg. Founded in 1898, the company continuously invests in various means of transport to serve the needs of a broad variety of customers by sea, shallow water and road offering a complete chain of transport.

Wagenborg companies are, amongst others, involved in shipping, stevedoring, forwarding, crane rental, heavy lifting, heavy transport, oil- and gas related services, towage and passenger services. Our integrated logistics solutions are flexible and reliable, provided by our dedicated crew of more than 3,000 employees.

Royal Wagenborg has identified quality, health, safety and the environment as key factors. Wagenborg Shipping manages its quality according to the ISO 9001, ISO 14001 and AEO. Our cargo vessels are ISM and ISPS-certified.

Head office:

WAGENBORG SHIPPING B.V.

Marktstraat 10, 9934 CK Delfzijl
P.O. Box 14, 9930 AA Delfzijl
The Netherlands
T +31 596 636 911
E chartering@wagenborg.com

Agency / Clearance at Delfzijl, Eemshaven and Groningen:

WAGENBORG AGENCIES B.V.

Handelskade Oost 21, 9934 AR Delfzijl, The Netherlands
P.O. Box 14, 9930 AA Delfzijl
T +31 596 636 254
E agency@wagenborg.com

Agency/Clearance at Amsterdam, Beverwijk and Umuiden:

WAGENBORG AGENCIES B.V.

Vredeweg 36A, 1505 HH Zaandam, The Netherlands
T +31 75 615 98 32
E agency.amsterdam@wagenborg.com

Agency/Clearance at Rotterdam, Dordrecht and Moerdijk:

WAGENBORG AGENCIES B.V.

Ridderhaven 27, 2984 BT Ridderkerk, The Netherlands
T +31 180 465 215
E agency.rotterdam@wagenborg.com

WAGENBORG STEVEDORING B.V.

Handelskade Oost 21, 9934 AR Delfzijl, The Netherlands
P.O. Box 14, 9930 AA Delfzijl
T +31 596 636 911
E stevedoring@wagenborg.com

WAGENBORG PROJECTS & LOGISTICS B.V.

Marktstraat 10, 9934 CK Delfzijl, The Netherlands
P.O. Box 14, 9930 AA Delfzijl
T +31 596 636 966
E logistic@wagenborg.com

WAGENBORG PROJECTS & LOGISTICS B.V.

Ridderhaven 27, 2984 BT Ridderkerk, The Netherlands
T +31 180 41 1169
E logistic@wagenborg.com

Branch office Sweden:

WAGENBORG SHIPPING SWEDEN AB

Hans Michelsensgatan 1B
P.O. Box 207, SE-201 22 Malmö, Sweden
T +46 409 37 100
E chartering.sweden@wagenborg.se

Branch office North America:

WAGENBORG SHIPPING NORTH AMERICA INC.

507 Place d'Armes, Suite 2100
Montreal, Quebec
H2Y 2W8
Canada
T +1 514 288 8282
E info@wagenborgna.ca

Branche office Spain:

Wave Shipping

Calle Lira, N° 1. Esc. Izq., 1° B.
28007 Madrid, Spain
T +34 917 253 763
E wave@waveship.com

