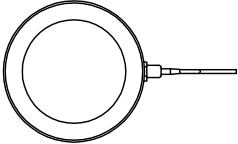
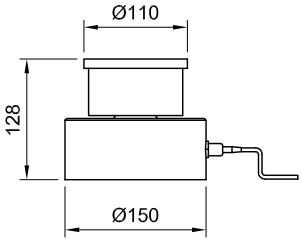
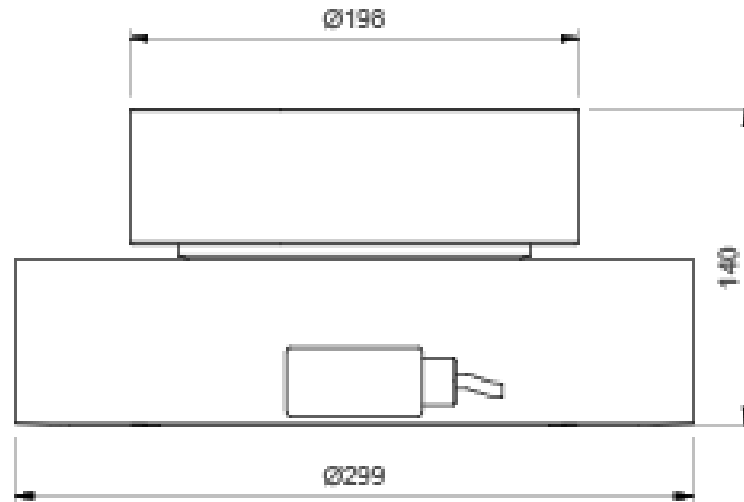


Cap.	Top view	Side view
50T		



* With upper plate

Cap.	Top view	Side view (without upper plate)
300T	<p>Top view of the 300T load cell showing a circular flange with four mounting holes. Dimensions include a diameter of 280, a hole diameter of 12.5, and a central hole diameter of 28.2. A central protrusion has a diameter of 60.</p>	<p>Side view of the 300T load cell without the upper plate, showing an inner diameter of $\text{Ø}155$ and a height of 85 units.</p>